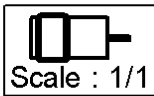
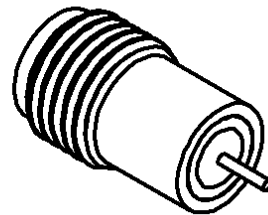
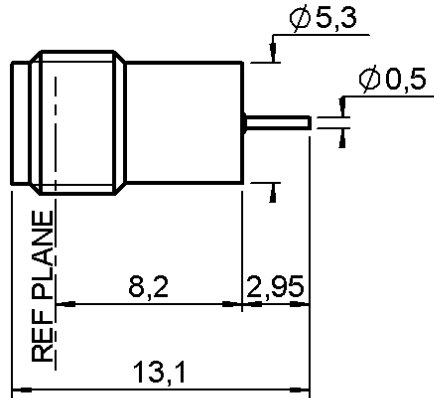


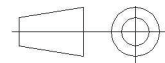
**SOLDER JACK RECEPTACLE**  
**HERMETIC - WITH CYLINDRICAL CONTACT**

**R125.630.170**

Series : SMA



All dimensions are in mm.



COMPONENTS	MATERIALS	PLATINGS (µm)
BODY	FERRO-NICKEL	GOLD 0.5 OVER NICKEL 2
CENTER CONTACT	DILVER P	GOLD 0.5 OVER NICKEL 2
OUTER CONTACT	-	-
INSULATOR	PTFE	-
GASKET	-	-
OTHERS PARTS	-	-
-	-	-
-	-	-

Issue : 0431 B

In the effort to improve our products, we reserve the right to make changes judged to be necessary.



**SOLDER JACK RECEPTACLE**

**R125.630.170**

**HERMETIC - WITH CYLINDRICAL CONTACT**

Series : SMA

**PACKAGING**

**SPECIFICATION**

Standard	Unit	Other
<b>1</b>	-	<b>Contact us</b>

**ELECTRICAL CHARACTERISTICS**

**ENVIRONMENTAL**

Impedance		<b>50</b> Ω
Frequency		<b>0-18</b> GHz
VSWR	** +	<b>0.000</b> x F(GHz) Maxi
Insertion loss		<b>0.3*</b> √F(GHz) dB Maxi
RF leakage	- (	<b>NA</b> - F(GHz)) dB mini
Voltage rating		<b>500</b> Veff Maxi
Dielectric withstanding voltage		<b>1000</b> Veff mini
Insulation resistance		<b>5000</b> MΩ mini

Operating temperature	<b>-40/+100</b> ° C
Hermetic seal	<b>10-5</b> Atm.cm <sup>3</sup> /s
Panel leakage	<b>NA</b>

**OTHERS CHARACTERISTICS**

Assembly instruction

Others :

\* See page 3

**MECHANICAL CHARACTERISTICS**

Center contact retention		
Axial force – Mating end		<b>27</b> N mini
Axial force – Opposite end		<b>27</b> N mini
Torque		<b>NA</b> N.cm mini
Recommended torque		
Mating		<b>NA</b> N.cm
Panel nut		<b>NA</b> N.cm
Mating life		<b>500</b> Cycles mini
Weight		<b>1.200</b> g

Issue : 0431 B

In the effort to improve our products, we reserve the right to make changes judged to be necessary.



**RADIALL**®

**SOLDER JACK RECEPTACLE**

**R125.630.170**

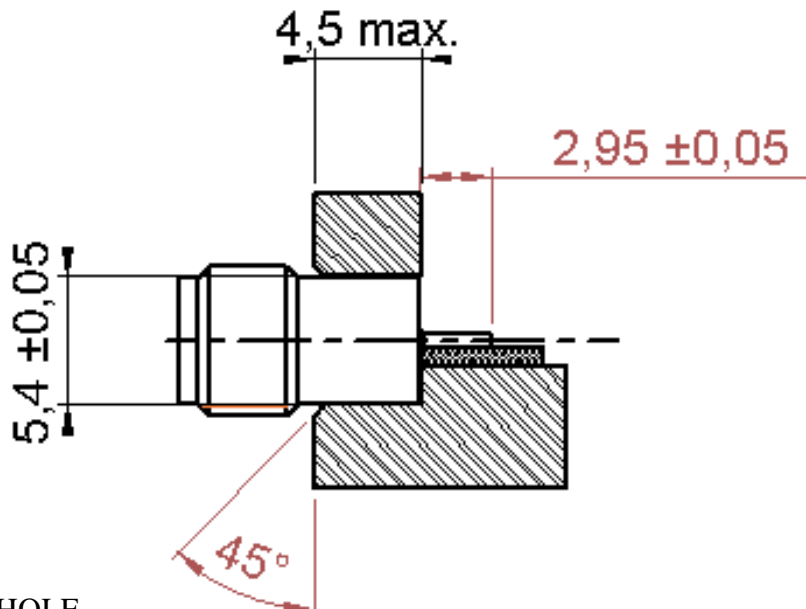
**HERMETIC - WITH CYLINDRICAL CONTACT**

Series : SMA

**RECOMMENDED MOUNTING HOLE DETAIL**

PANEL WITH THROUGH HOLE

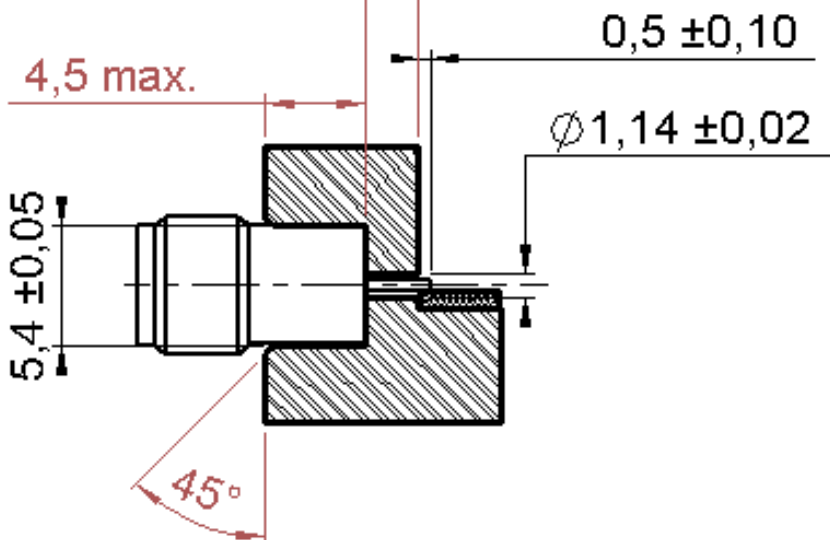
Frequency range 0 – 18 GHz  
 VSWR < 1.10 + 0.03 F



PANEL WITH BLIND HOLE

Frequency range 0 – 18 GHz  
 VSWR < 1.05+0.02F

1 to 2.4 according  
 to customer's application



**Issue : 0431 B**

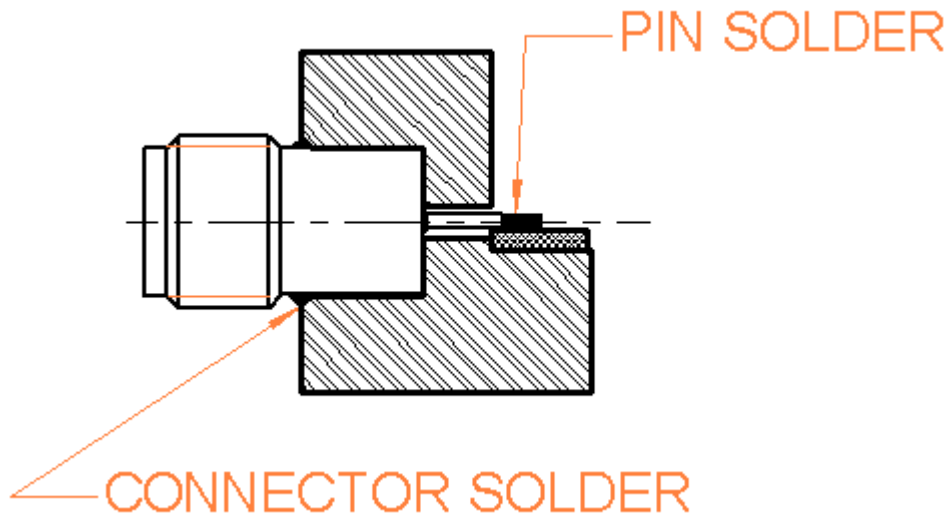
In the effort to improve our products, we reserve the right to make changes judged to be necessary.



**SOLDER JACK RECEPTACLE**  
**HERMETIC - WITH CYLINDRICAL CONTACT**

**R125.630.170**

Series : SMA

**MOUNTING INSTRUCTIONS**

- 1 – Degrease and clean connector and box.
- 2 – Solder the connector on the panel:  
Preheating at about 100°C.  
Take care not to exceed 250°C during solder operation .
- 3 – Solder the pin on the track:  
-ceramic substrates: preheating at about 100°C.  
-other substrates: no preheating required.

NOTE: Please use a small soldering iron ,or hot air soldering system.

- 4-Mount the insulator in accordance with the drawing:  
used the dielectric insert tool and the dielectric plunger R282.730.043.

**Issue : 0431 B**

In the effort to improve our products, we reserve the right to make changes judged to be necessary.